

WORK IN  
MOTION

HEIGHT ADJUSTABLE TABLE  
**ADAPTABLE**



# Who we are

We are a 15 years young organisation that conceptualises, designs, manufactures, and delivers modular furniture solutions across the country. All our products are manufactured sustainably in India, with clients in the remotest part of the nation.

We are on a quest to deliver maximum value to all our clients and partners by delivering research-backed ergonomic furniture solutions in the shortest delivery span across the industry.

Having built a mammoth scale of manufacturing with the most advanced technology and equipment available across the globe, we feel humbled to share that the biggest assets we possess are our employees and clients. Starting from design and manufacturing to product delivery and installation, we provide customisation capability to suit our clients' business needs and lead with empathy while delivering end-to-end furniture solutions to the major corporates (Fortune 500), educational institutes, government and private institutions, and more.



# Content



Single

This desk frame is a timeless option suitable for both home and office settings. It offers stability and versatility with its adjustable heights. Being the most sought-after model in its category, it seamlessly blends contemporary design with outstanding functionality.



Dual

With its integrated face-to-face design, this desk offers enhanced stability, featuring independently adjustable sides. It is particularly well-suited for creating an organized office environment with a consistent workstation layout. A range of screen board styles are available, allowing you to add privacy as desired.



120°

Striking the ideal balance between collaboration and privacy, this Y-shaped three-cell workstation at 120° angle is perfect for promoting efficient teamwork. It facilitates seamless communication among three individuals while ensuring each person retains complete control over their own desk.



L-Shape

Designed for open spaces or independent office rooms, this desk offers larger table tops, ergonomic accessories, and the ability to handle higher loads thanks to its three stable lifting columns. It is resilient enough to tackle almost any complex task in the office environment.



Cabin

Experience versatility and comfort with the Cabin Height Adjustable Desk. Effortlessly adjust the desk's height to cater to your preferred working position, whether sitting or standing. Its sleek design and sturdy construction provide a modern and durable workspace solution.

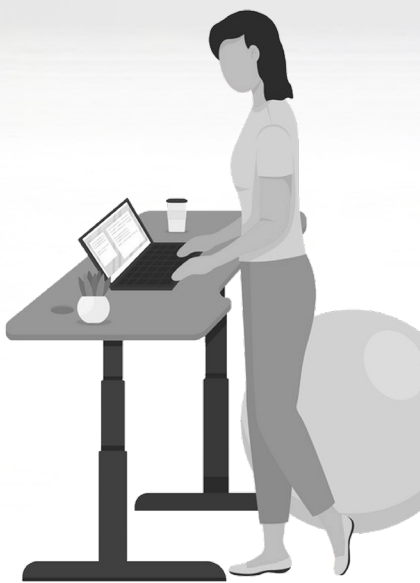
# ADAPTABLE



## Stand Tall Sit Smart

---

Welcome to our height adjustable desk world, where innovation meets functionality. As we continue to move towards a more health-conscious society, the need for ergonomic furniture has become increasingly prevalent. Height adjustable desks provide an effective solution to combat the negative effects of prolonged sitting by allowing users to switch between sitting and standing positions throughout the day. Our collection offers a variety of options to fit any workspace, from sleek and modern designs to classic and traditional styles. Whether you're a professional seeking a more comfortable work environment or a student in need of a study space, our height adjustable desks are the perfect addition to any home or office.



# Why Height Adjustable Desk

---



Less risk of  
Cardiovascular disease



More energy



Improved  
overall health



Fat loss



Better circulation



Higher Productivity



Improved brain  
function



Better Posture



# Single HAT

## Features

Column Type  
Dual Stage

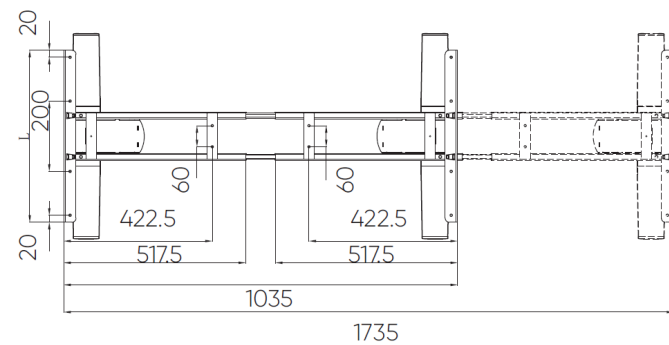
Constant Speed  
(mm/s)36

Noise (db)  
<50

Height Range (mm)  
625-1275 (Stroke: 650)  
581-1244 (Stroke: 663)

BIFMA/GS Compliant  
Yes

Width (mm)  
1035-1735



A single height adjustable desk is a versatile workspace solution that can be easily adjusted to accommodate different users. With a simple mechanism or electronic controls, the desk can be raised or lowered to the desired height, promoting proper posture and reducing strain on the body. It offers flexibility for individuals who prefer sitting or standing while working, allowing them to switch positions effortlessly throughout the day.





# Dual HAT

## Sit-to-stand boosts office health

Adaptable is a sit-to-stand table that seamlessly blends an elegant form with an efficient design. It makes transitioning from sitting to standing and vice versa a natural part of your daily routine. This height-adjustable desk is equipped with all the features you could possibly want, including intuitive height adjustment, cable management, and a durable and long-lasting build. Additionally, our comprehensive warranty guarantees the life of your standing desk. By pairing Renew with a top-quality office chair, you'll have access to a full range of supported movement, allowing you to remain active and healthy during work hours.

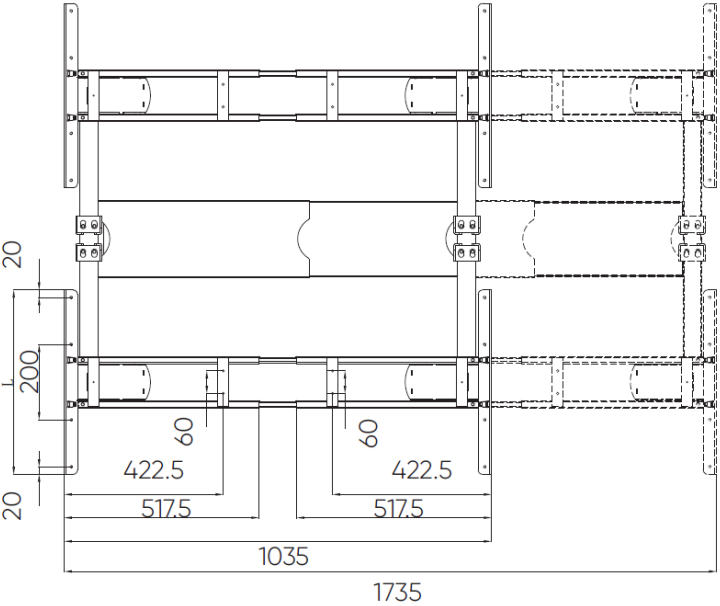


# The ultimate solution for a more active and comfortable workspace



## Features

Column Type Dual Stage	Constant Speed (mm/s)36
Noise (db) <50	Height Range (mm) 625~1275 (Stroke: 650) 581~1244 (Stroke: 663)
BIFMA/GS Compliant Yes	Width (mm) 1035~1735



# 120° HAT

## Features

Column Type  
Dual Stage

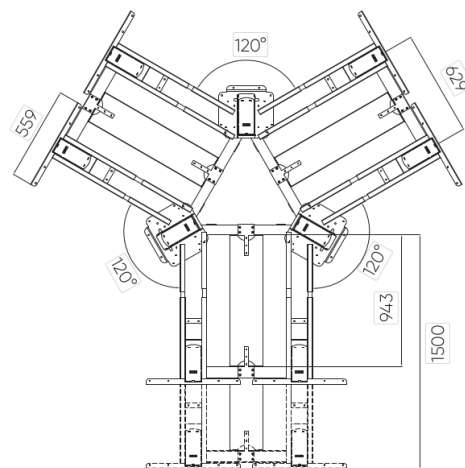
Constant Speed  
(mm/s)36

Noise (db)  
<50

Height Range (mm)  
605.5~1255.5 (Stroke: 650)  
561.5~1224.5 (Stroke: 663)

BIFMA/GS Compliant  
Yes

Width (mm)  
943~1500



## Show your capabilities

The curved edges of the desk enable you to stretch your arms comfortably on both sides, while the desktop's dimensions of 55 inches in width and 29.5 inches in depth provide ample space to lay out your drawings. The sit-to-stand design of the desk encourages movement, which can stimulate creativity and boost productivity.





# Cabin HAT

---

An cabin height adjustable desk is a versatile piece of furniture that offers both ample workspace and ergonomic benefits. With its unique design, it can easily fit into corners and maximize the available space. With its latest design and ample storage space, this desk is ideal for organizing your essentials while maximizing efficiency. Experience the convenience and functionality of this versatile desk that effortlessly adapts to your needs.

### 3-level memory height

Set preferred heights for sitting and standing postures.

### Silent lift

< 50 dB, minimize office noise and focus on work.

### Reach within 13s

With a speed of 36mm/s, UP1 achieves the designated height within 13 seconds, indulging you with a quick response.

### Retreat upon obstacle

Automatic ascend or descend when there is an obstacle.

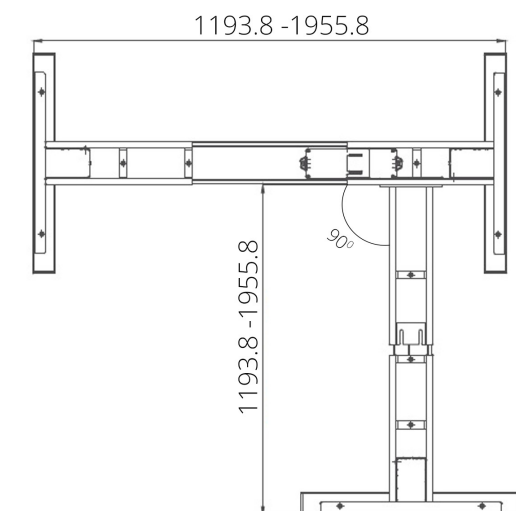


The L-Shape Height Adjustable Desk combines functionality and versatility in a sleek design. The L-shape design offers ample workspace for multiple monitors and allows for seamless integration into any office or home environment. Upgrade your workspace with this ergonomic solution that prioritizes your comfort and well-being.

# L-Shape HAT

## Features

Column Type Dual Stage	Constant Speed (mm/s)36
Noise (db) <50	Height Range (mm) 618~1268 (Stroke: 650) 574~1237 (Stroke: 663)
BIFMA/GS Compliant Yes	Width (mm) 1193.8~1955.8





### High quality motor and electronics

Enjoy ultra smooth height adjustments at 1" per second with bosch noise free dual motors



### 3 Stage Height Adjustments

Being adjustable at 600mm minimum height and 1260mm maximum height



### Good Lifting Capacity

support weights up to 100kg



### Anti-collision feature

Built-in sensors raise or lower desk on impact if object collision is detected



# Sit, Stand & Thrive



## Wire Management

The power cord, which is safely connected to the ground, travels through designated routing columns and beams to supply power to the extension desk. The wires are completely concealed within the structure. The routing beams have pr-reserved 86mm x 86mm socket holes on their side surfaces, with a maximum of three sockets available on each side. Furthermore, the lifting motor and power strip wires can be conveniently stored inside a snake tube.

**Power consumption-**  
0.1watt (static)  
100watt (active)  
300watt (100 kg)

# Handset



Simple & Stylish



Humanized Design



Smart Control



Customizable



- Single touch height adjustment
- Three programmable heights
- Fault prompt indicator

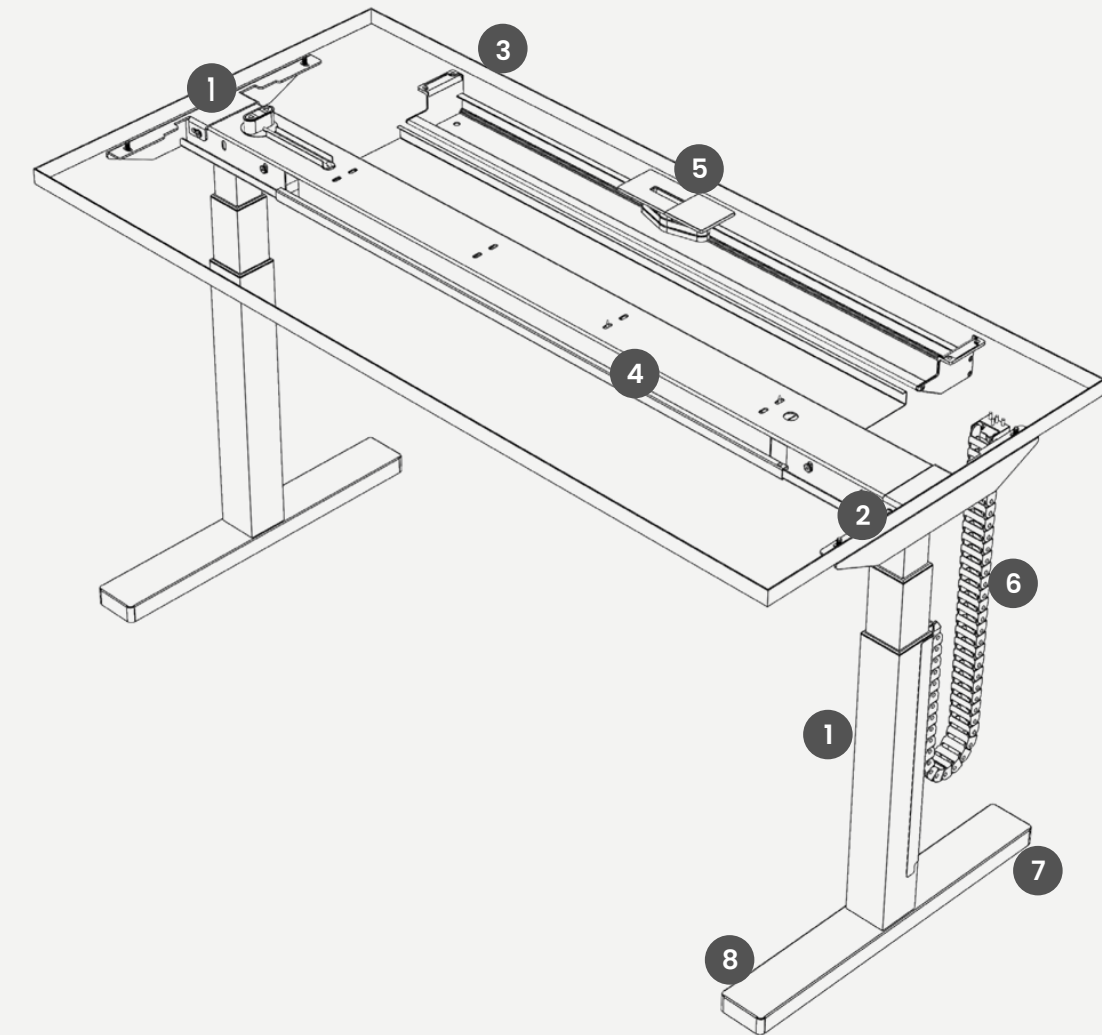


- Touch control with vibration
- LED screen with backlight
- Four programmable heights
- Fault prompt indicator
- Sedentary reminder
- Bluetooth (optional)
- Single touch height adjustment

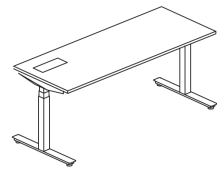


- Simple design with only up and down buttons

- 1 Leg
- 2 Table Beam
- 3 Worksurface
- 4 Wire Cover
- 5 Grommet
- 6 e-Chain
- 7 Leveler
- 8 Foot
- 9 Switch



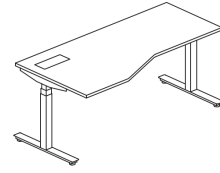
## Product Specifications



### Rectangular Desk

W: 1400,1500,1600,1800

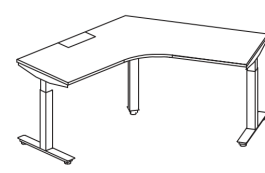
D: 700,800



### Step Desk

W: 1400,1500,1600,1800

D: 900/700, 1000/800

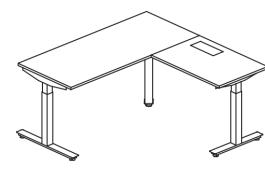


### 120° Desk

W1: 1000,1200 D1:

600,700

W2: 1000,1200 D2: 600,800

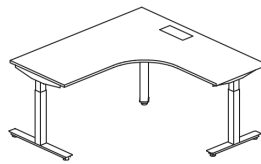


### L-Shape Standard Desk

W1: 1500,1600,1800 D1:

700,800 W2: 1500,1600,1800

D2: 600



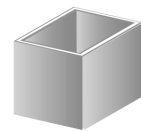
### L-Shape Standard Desk

W1: 1400,1500,1600,1800

D1: 600,700,800 W2:

1400,1500,1600,1800 D2: 600,700

## Column Type



50×80 mm

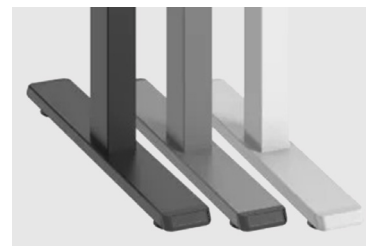
## Accessories



Stationery drawer



Cable snake



Foot



Cable Tray Flex



Monitor Arm



Top Support

## Fabric:



AFC F BLACK



AFC F GREY



AFC F MAROON



AFC F BROWN



AFC F LIGHT BROWN



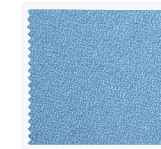
AFC F RED



AFC F ORANGE



AFC F BLUE



AFC F SKYBLUE



AFC F GREEN



AFC F OLIVE GREEN



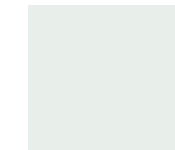
AFC F OFF-WHITE

## Laminate:



AFC LAM - 1103

Frosty White



AFC LAM - 1104

Silver Grey



AFC LAM - 1105

Slate Grey



AFC LAM - 1106

Black



AFC LAM - 1113

Gothic Grey



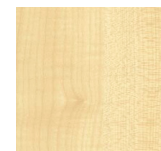
AFC LAM - 3003

Highland Pine



AFC LAM - 3018

Mangfall Beech



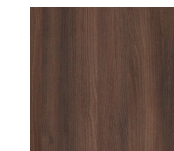
AFC LAM - 3020

Thansau Maple



AFC LAM - 3025

Moldau Acacia Light



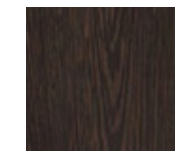
AFC LAM - 3026

Moldau Acacia Dark



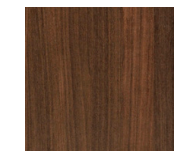
AFC LAM - 3041

Elegant Teak



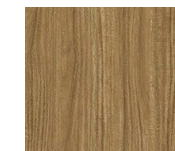
AFC LAM - 3002

Flowery Wenge



AFC LAM - 3009

Classic Planked Walnut



AFC LAM - 3371

Persian Walnut

## Powder Coating



AFC- WHITE



AFC- BLACK



BIGGEST CORPORATES  
**TRUST US**

# COMFORT MEETS PRODUCTIVITY



HO - Plot No 33, Ecotech 12,  
West Greater Noida, UP, 201310  
0120-6251848-49, 9999006933  
afc@afcindia.in, customercare@afcindia.in

Delhi

Gurgaon

Mumbai

Pune

Bangalore

Hyderabad

Kolkata

Chennai